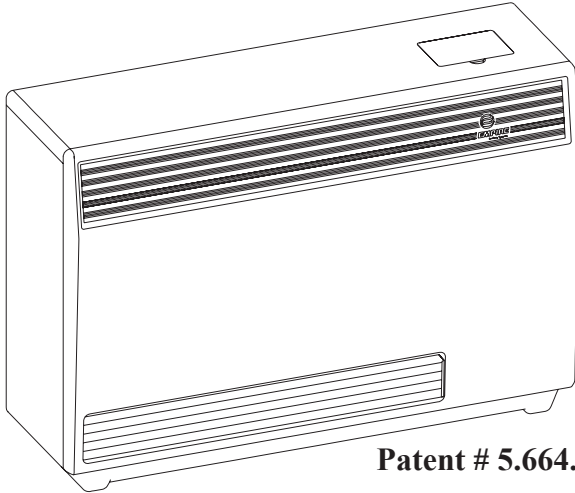




# INSTALLATION INSTRUCTIONS AND OWNER'S MANUAL



Patent # 5.664.555

**Installer:** Leave these instructions with the consumer.

**Consumer:** Retain these instructions for future use.

**WARNING:** If the information in this manual is not followed exactly, a fire or explosion may result causing property damage, personal injury or loss of life.

- Do not store or use gasoline or other flammable vapors and liquids in the vicinity of this or any other appliance.
- **WHAT TO DO IF YOU SMELL GAS**
  - Do not try to light any appliance.
  - Do not touch any electrical switch; do not use any phone in your building.
  - Immediately call your gas supplier from a neighbor's phone. Follow the gas supplier's instructions.
  - If you cannot reach your gas supplier, call the fire department.
- Installation and service must be performed by a qualified installer, service agency or the gas supplier.

## FAN TYPE DIRECT VENT WALL FURNACE

For Installation in  
Manufactured (Mobile Home),  
Modular or Residential Homes

**MODEL  
DV-55E-5**



**EFFECTIVE DATE  
JULY 2006**

This appliance may be installed as an OEM installation in a manufactured home (USA only) or mobile home and must be installed in accordance with the manufacturer's instructions and the Manufactured Home Construction and Safety Standard, Title 24 CFR, Part 3280, in the United States, or the Mobile Home Standard, CAN/CSA Z240 MH Series, in Canada.

This appliance is only for use with the type(s) of gas indicated on the rating plate. A conversion kit is supplied with the appliance.

**WARNING:** If not installed, operated and maintained in accordance with the manufacturer's instructions, this product could expose you to substances in fuel or from fuel combustion which can cause death or serious illness.



# IMPORTANT SAFETY INFORMATION

**THIS IS A HEATING APPLIANCE  
DO NOT OPERATE THIS APPLIANCE WITHOUT FRONT PANEL INSTALLED.**

- Due to high temperatures the appliance should be located out of traffic and away from furniture and draperies.
- Children and adults should be alerted to the hazards of high surface temperatures and should stay away to avoid burns or clothing ignition.
- Young children should be carefully supervised when they are in the same room as the appliance.
- Clothing or other flammable material should not be placed on or near the appliance.
- Any safety screen or guard removed for servicing an appliance must be replaced prior to operating the appliance.
- Keep burner and control compartment clean.
- Vent cap hot while furnace is in operation.
- For manufactured home (USA only) or mobile home or residential installation convertible for use with natural gas and liquefied petroleum gases when provision is made for the simple conversion from one gas to the other.
- Installation and repair should be done by a **QUALIFIED SERVICE PERSON**. The appliance should be inspected before use and at least annually by a qualified service person. More frequent cleaning may be required due to excessive lint from carpeting, bedding materials, etc. It is imperative that control compartments, burners and circulating air passageways of the appliance be kept clean.
- **DO NOT** put anything around the furnace that will obstruct the flow of combustion and ventilation air.
- **DO** keep the appliance area clear and free from combustible material, gasoline and other flammable vapors and liquids.
- **DO** examine venting system periodically and replace damaged parts.
- **DO** make a periodic visual check of burner. Clean and replace damaged parts.
- **DO NOT** use this heater if any part has been under water. Immediately call a qualified service technician to inspect the heater and to replace any part of the control system and any gas control which has been under water.

# SAFETY INFORMATION FOR USERS OF LP-GAS

## LP-GAS WARNING ODOR

If a gas leak happens, you should be able to smell the gas because of the odorant put in the LP-Gas.  
That's your signal to go into immediate action!

Finally

## NO ODOR DETECTED - ODOR FADE

# REQUIREMENTS FOR MASSACHUSETTS

**“GAS VENT DIRECTLY BELOW. KEEP  
CLEAR OF ALL OBSTRUCTIONS”.**

# INTRODUCTION

Introduction

Qualified Installing Agency

Instructions to Installer

State of Massachusetts:
-------------------------

<p><b>Warning:</b> Any change to this furnace or its control can be dangerous. This is a heating appliance and any panel, door or guard removed for servicing an appliance must be replaced prior to operating the appliance.</p>
---

General Information

Any alteration of the original design, installed other than as shown in these instructions or use with a type of gas not shown on the rating plate is the responsibility of the person and company making the change.

Important

High Altitudes

Notice:

Installation in Residential Garages

# SPECIFICATIONS


Accessories for DV-55E Furnaces

# GAS SUPPLY

## Recommended Gas Pipe Diameter


Never use an exposed flame to check for leaks. Appliance must be disconnected from piping at inlet of control valve and pipe capped or plugged for pressure test. Never pressure test with appliance connected; control valve will sustain damage!

Note:

### Pressure Testing of the Gas Supply System

Note:

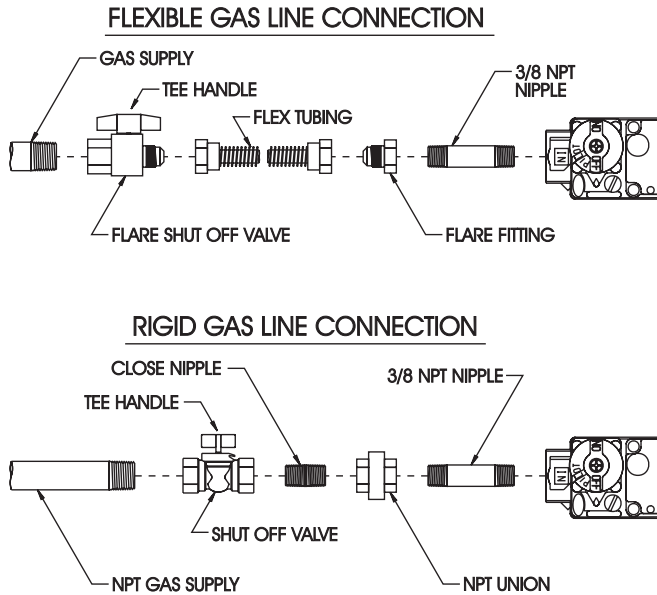


Figure 1

Attention! If anyone of the procedures results in pressures in excess of 1/2psig (14" w.c) (3.5kPa) on the fireplace gas valve, it will result in a hazardous condition.

### Checking Manifold Pressure

### Installing a New Main Gas Cock

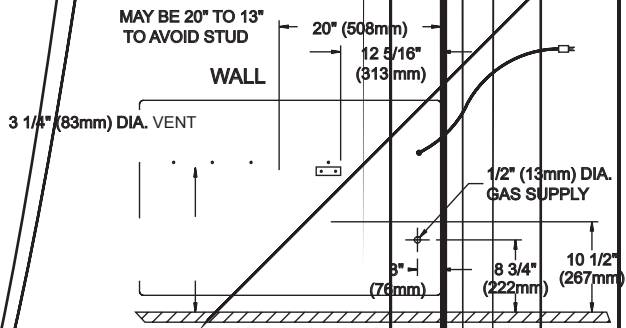




**WARNING:** The nearest point of the vent cap should be a minimum horizontal distant of six (6) feet (1.83m) from any pressure regulator. In case of regulator malfunction, the six (6) feet (1.83m) distance will reduce the chance of gas entering the vent cap.

**Installation on Rugs and Tile**

**Locating Wall Opening (Figures 2, 3 and 4)**



**Figure 2**

**Figure 3**

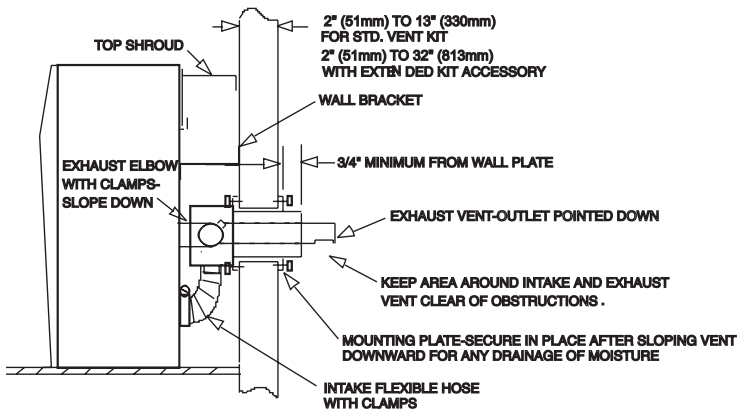


Figure 4

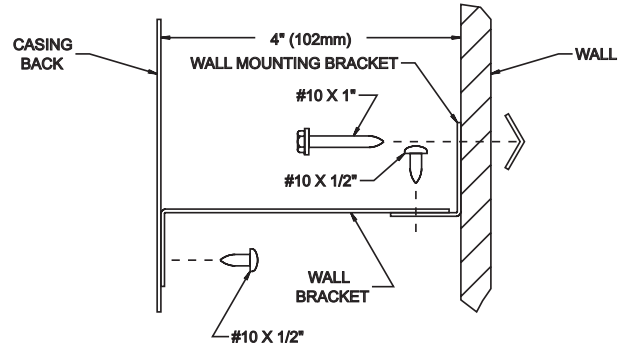


Figure 6

Installing Wall Bracket (Figures 5 and 6)

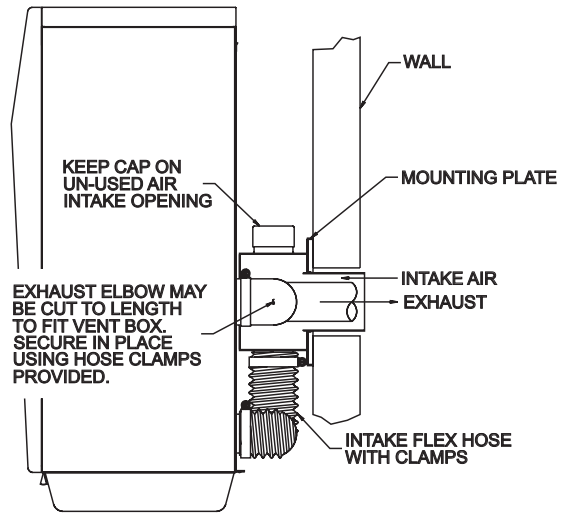


Figure 7

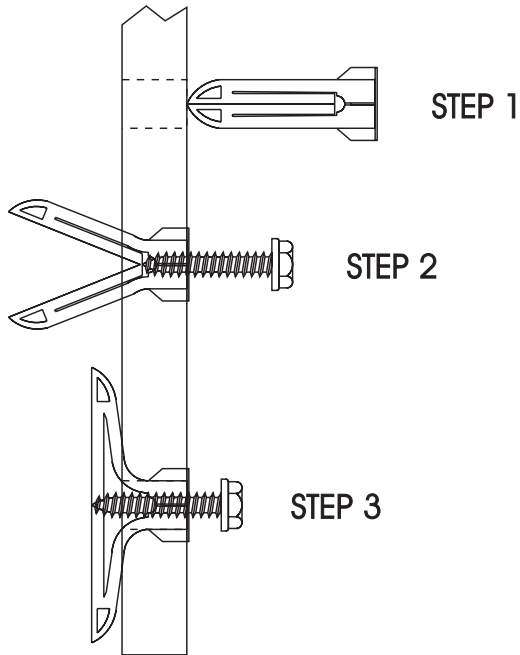


Figure 5

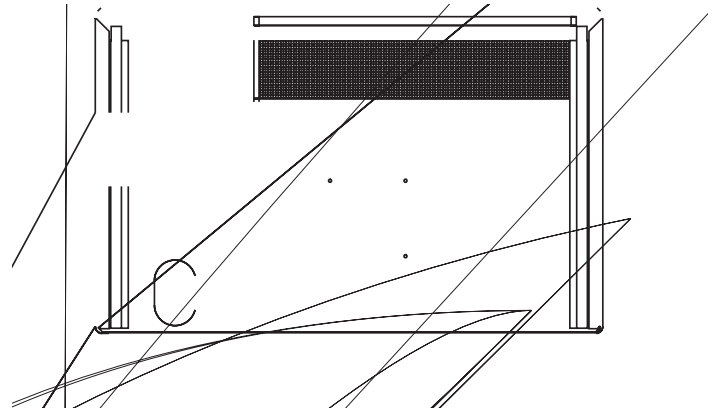
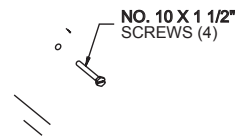


Figure 8

**Venting (Figures 7 and 8)**

**Vent Terminal (Figure 9)**



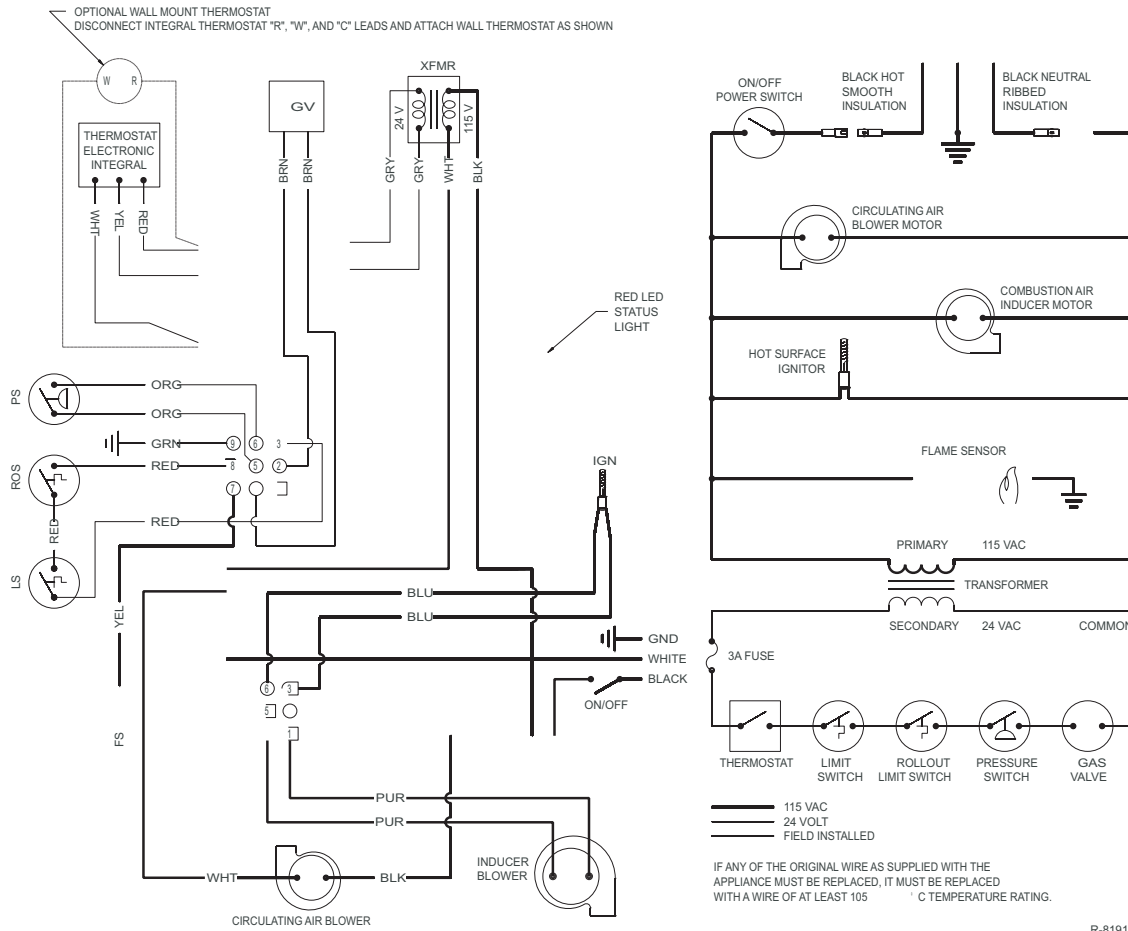
**Figure 9**

**Installation of Shroud**



## WIRING DIAGRAM

**WARNING: DISCONNECT THE ELECTRIC POWER**



**This appliance is equipped with a three-prong [grounding] plug for your protection against shock hazard and should be plugged directly into a properly grounded three-prong receptacle. Do not cut or remove the grounding prong from this plug.**

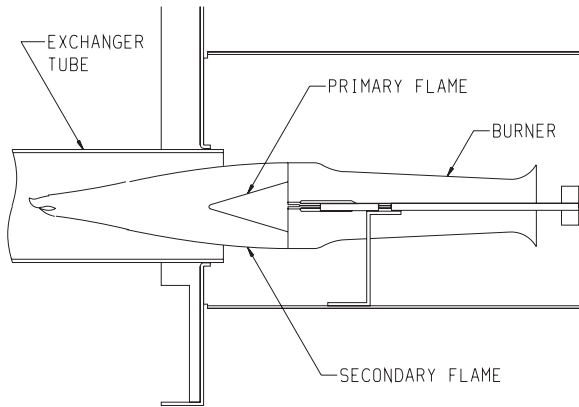
### Replacement of Thermistor with 24 Volt Wall Thermostat

6. **Internal Electronic Thermostat/Temperature Control Board**  
**Attention! No 24 volt wall thermostat wires are to be attached to the internal electronic thermostat.**

**CAUTION:**

# MAINTENANCE

## Proper Main Burner Flame



**Figure 10**

## Cleaning Main Burner(s)

## Removing Main Burner(s)

## Removing Gas Valve

## Removing Main Burner Orifice(s)

## Removing Ignitor and Flame Sensor

## Cleaning Combustion (Exchanger) Assembly

## Oiling

# OPERATION AND TROUBLESHOOTING

## System Operation

\_\_\_\_\_

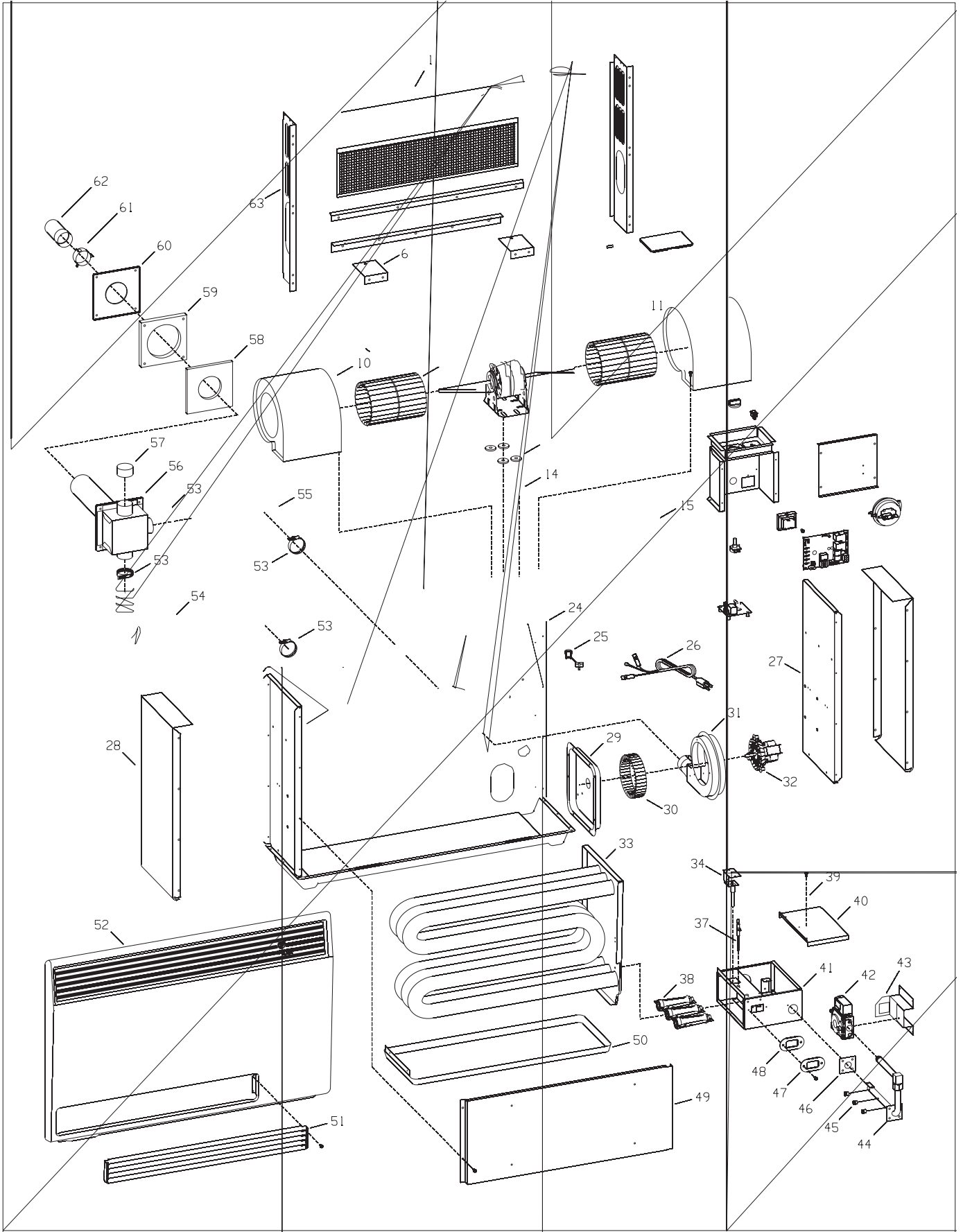
# of Blinks	Fault Condition	Fault Correction

**Note:**





# PARTS VIEW







Empire Comfort Systems

[www.empirecomfort.com](http://www.empirecomfort.com)